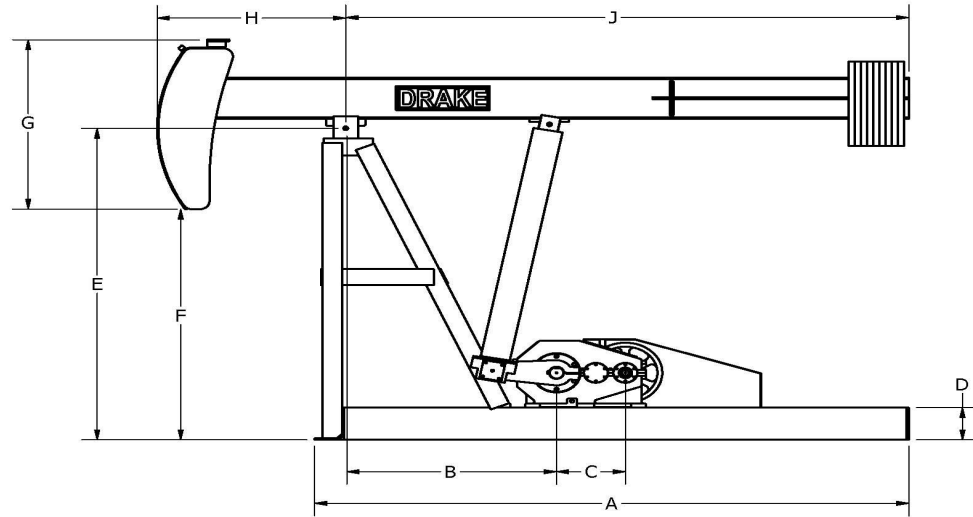




**DRAKE**  
MANUFACTURING  
SHEFFIELD PA. 16347



PUMPING UNITS	MAX TORQUE (IN-LBS)	STROKE LENGTH (IN.)	POLISHED ROD CAPACITY (LBS)	FRONT BASE WIDTH	A	B	C	D	E	F	G	H	J
B-10D-40-15	10,000	10,12,15	4,000	30	69.25	26.125	10.07	5	49.5	33	23	22.5	65
B-16D-60-30	16,000	16,20,24,30	6,000	31	84.25	34	11.2	6	64.25	52.5	29	38.25	94.375
B-16D-60-30-EXT	16,000	16,20,24,30	6,000	36	84.25	34	11.2	6	76.25	64.5	29	38.25	94.375
B-25D-75-36	25,000	21,25,30,36	7,500	44	120.5	50.1	14.12	8	77.5	65.5	42.5	38.25	114.2

**IRRIGATION UNIT**

PUMPING UNITS	MAX TORQUE (IN-LBS)	STROKE LENGTH (IN.)	POLISHED ROD CAPACITY (LBS)	FRONT BASE WIDTH	A	B	C	D	E	F	G	H	J
BLP-25D-75-32	25,000	24, 32	7,500	44	120.5	50.1	14.12	8	58.5	46	37.5	53	120.5

- OPTIONS:
1. WIDE BASE ON 10,16 AND 25 MODELS (STANDARD ON 25 IRRIGATION MODEL)
  2. BELT GUARDS